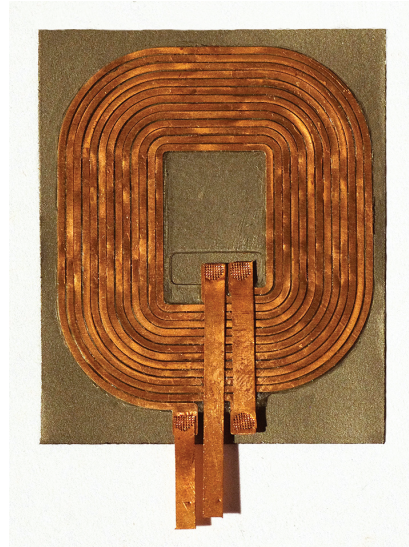




## STAMPED INDUCTIVE CHARGING RX COILS FOR DUAL MODE APPLICATIONS

### FEATURES:

- Inductive charging coils for phones and tablets
- Suitable for Dual Mode (WPC and PMA) applications
- Industry leading thinness for slim design requirements
- Low DC Resistance for high efficiency and low thermal loading
- Thermal shock tested, robust construction
- Available to suit specific electrical and mechanical requirements
- Resistance and inductance tested
- Available with and without Ferrite Shield
- Patent Pending



PART NUMBER A2321

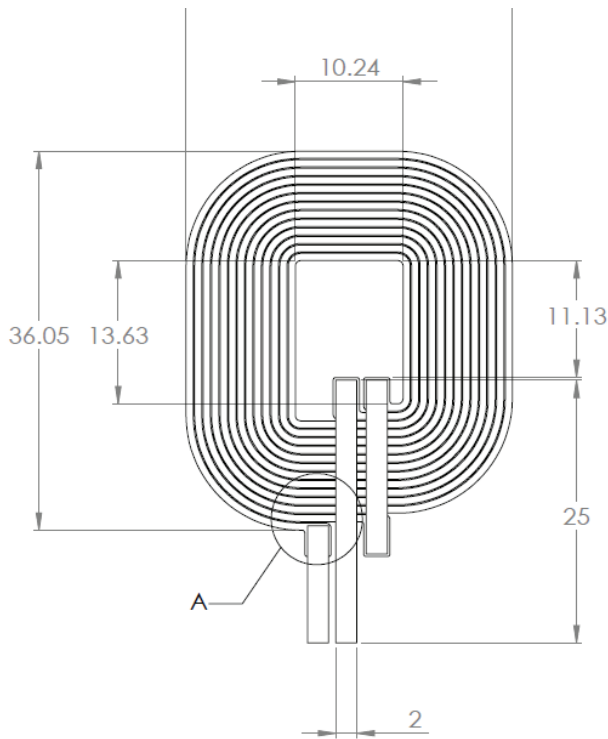
### ELECTRICAL SPECIFICATION :

PART NUMBER	A2321	A2324
MATERIAL	COPPER	COPPER
DIMENSIONS	36.1 mm x 31.1 mm	39 mm x 30 mm
COIL THICKNESS	0.10 mm ~ 0.25 mm	0.10 mm ~ 0.25 mm
DC RESISTANCE FROM MIN - MAX THICKNESS	250 mΩ ~ 136 mΩ	260 mΩ ~ 145 mΩ
INDUCTANCE WITH SHIELD	6.9 μH	8.1 μH
OVERALL THICKNESS WITH SHIELD	0.30 mm ~ 0.55 mm	0.30 mm ~ 0.55 mm
APPLICATION	Dual PMA/WPC	Dual PMA/WPC

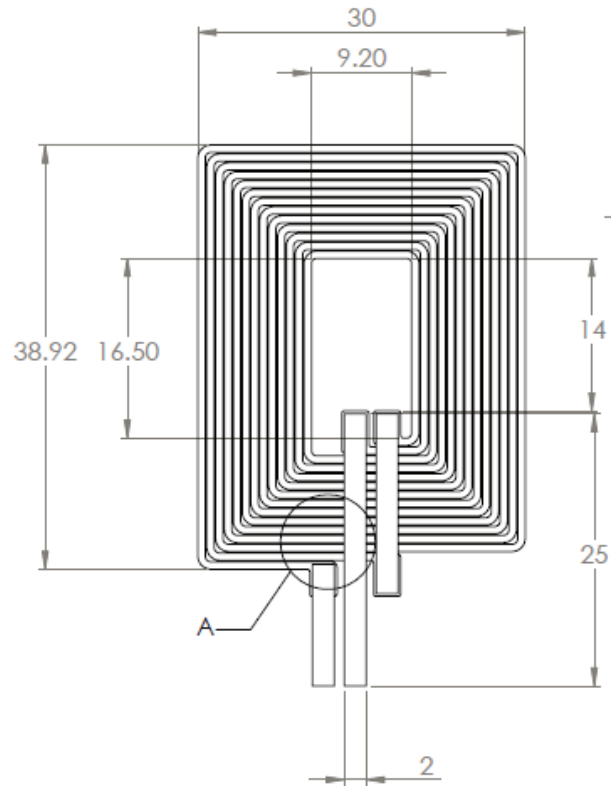


# STAMPED INDUCTIVE CHARGING RX COILS FOR DUAL MODE APPLICATIONS

**A2321 DRAWING:**



**A2324 DRAWING:**



## FOR FURTHER QUESTIONS, PLEASE CONTACT:

**Josh Kurz**  
jkurz@akstamping.com

**Carlo Montesa**  
cmontesa@akstamping.com

**Michael Schneider**  
mschneider@akstamping.com

**AK Stamping Company Inc.**  
**Globe Manufacturing Sales**  
1159 U.S. Route 22  
Mountainside, New Jersey 07092 USA  
Phone: +1 908-232-7300

**AK Stamping (Shanghai) Company, Inc**  
789 Puxing Road  
Caohejing Export Processing Zone  
Building 4  
Shanghai, 201114 CHINA