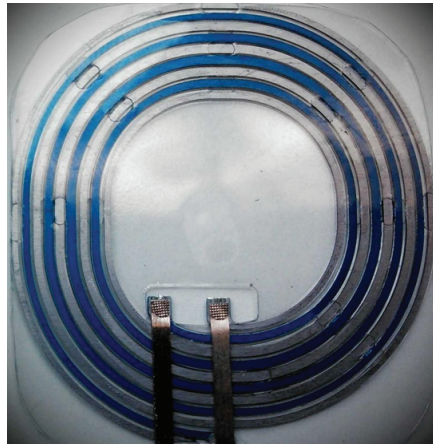




# STAMPED INDUCTIVE CHARGING A2311 (A11 STYLE) COILS

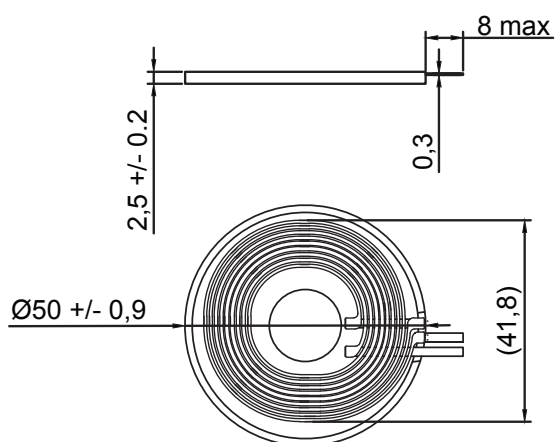
## FEATURES:

- Comparable performance to Litz wire at significant reductions in thickness, weight and cost
- Precision metal stamping ensures scalability and greater part to part consistency
- Low overall thickness provides greater industrial design flexibility and more robust assemblies
- Exceeds thermal and vibration shock requirements
- Variety of coil assembly shielding options available
- Resistance and inductance tested
- Patent Pending

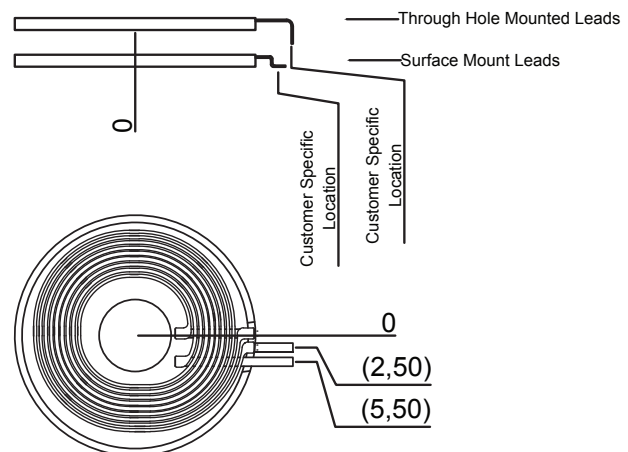


## A11 DRAWING:

Standard Leadout Configuration



Custom Leadout Options Available



\*Stamped Coil dimensions are based on WPC A11 geometry



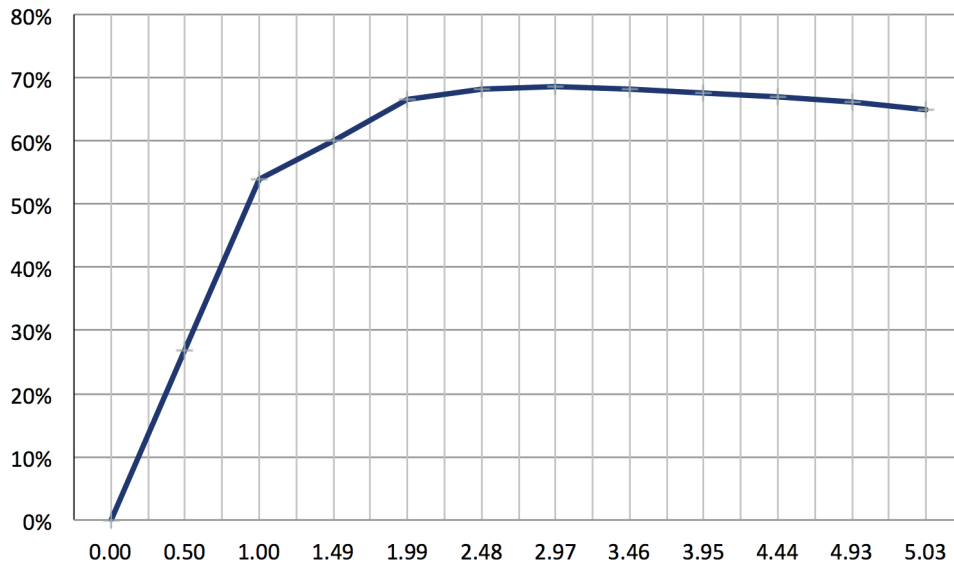
# STAMPED INDUCTIVE CHARGING A2311 (A11 STYLE) COILS

## INDUCTANCE SPECIFICATION:

| COIL | INDUCTANCE  |
|------|-------------|
| A11  | 6.3 $\mu$ H |

## EFFICIENCY GRAPH:

System Efficiency



## FOR FURTHER QUESTIONS, PLEASE CONTACT:

**Josh Kurz**  
jkurz@akstamping.com

**Carlo Montesa**  
cmontesa@akstamping.com

**Michael Schneider**  
mschneider@akstamping.com

**AK Stamping Company Inc.**  
**Globe Manufacturing Sales**  
1159 U.S. Route 22  
Mountainside, New Jersey 07092 USA  
Phone: +1 908-232-7300

**AK Stamping (Shanghai) Company, Inc**  
789 Puxing Road  
Caohejing Export Processing Zone  
Building 4  
Shanghai, 201114 CHINA