



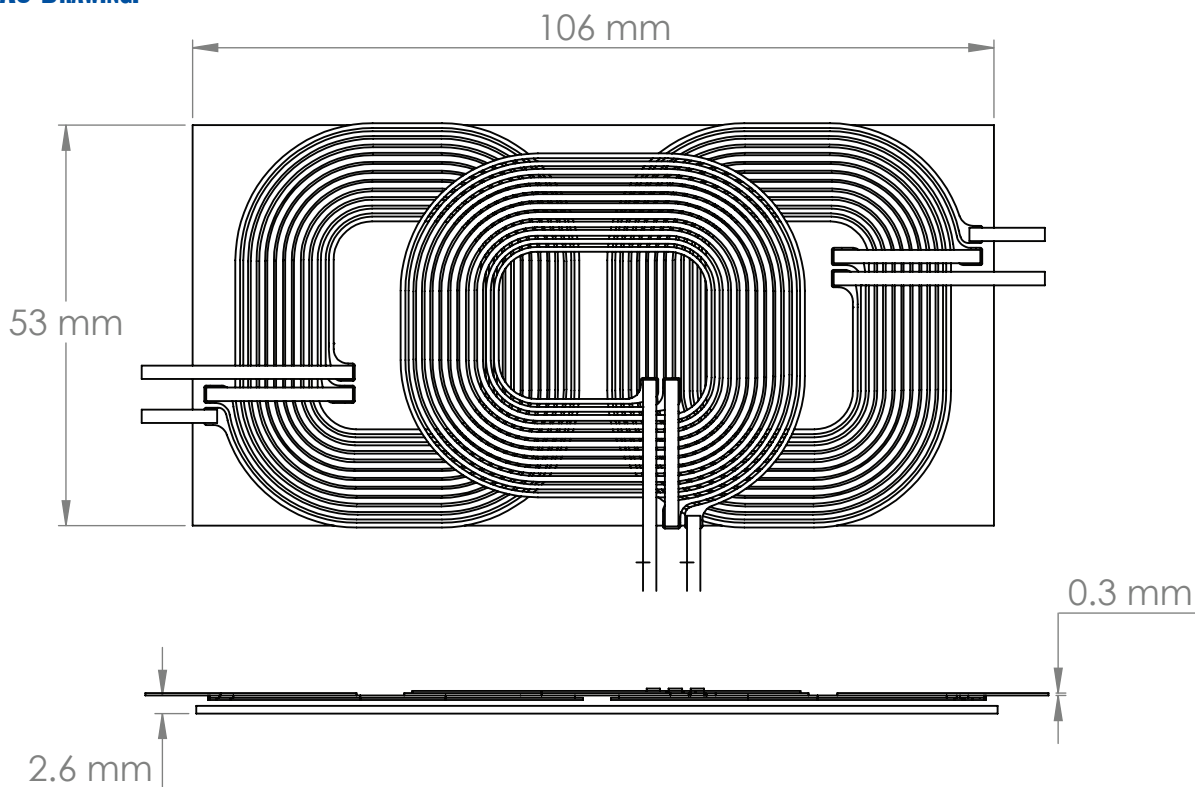
STAMPED INDUCTIVE CHARGING A2306 (A6 STYLE) COILS

FEATURES:

- Comparable performance to Litz wire at significant reductions in thickness, weight and cost
- Precision metal stamping ensures scalability and greater part to part consistency
- Low overall thickness provides greater industrial design flexibility and more robust assemblies
- Exceeds thermal and vibration shock requirements
- Variety of coil assembly shielding options available
- Resistance and inductance tested
- Patent Pending



A6 DRAWING:



*Stamped Coil dimensions are based on WPC A6 geometry

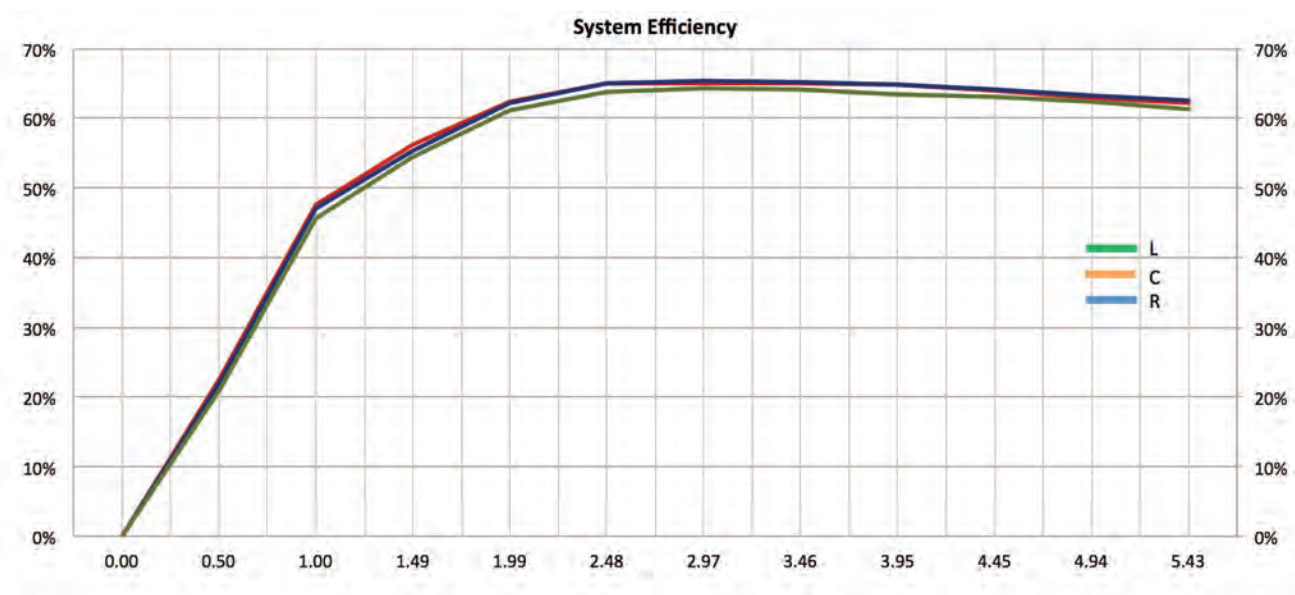


STAMPED INDUCTIVE CHARGING A2306 (A6 STYLE) COILS

INDUCTANCE SPECIFICATION:

COIL POSITION	INDUCTANCE
Outer Coil 1 (L)	12.8 μ H
Center Coil (C)	12.4 μ H
Outer Coil (R)	12.8 μ H

EFFICIENCY GRAPH:



FOR FURTHER QUESTIONS, PLEASE CONTACT:

Josh Kurz
jkurz@akstamping.com

Carlo Montesa
cmontesa@akstamping.com

Michael Schneider
mschneider@akstamping.com

AK Stamping Company Inc.
Globe Manufacturing Sales
1159 U.S. Route 22
Mountainside, New Jersey 07092 USA
Phone: +1 908-232-7300

AK Stamping (Shanghai) Company, Inc
789 Puxing Road
Caohejing Export Processing Zone
Building 4
Shanghai, 201114 CHINA